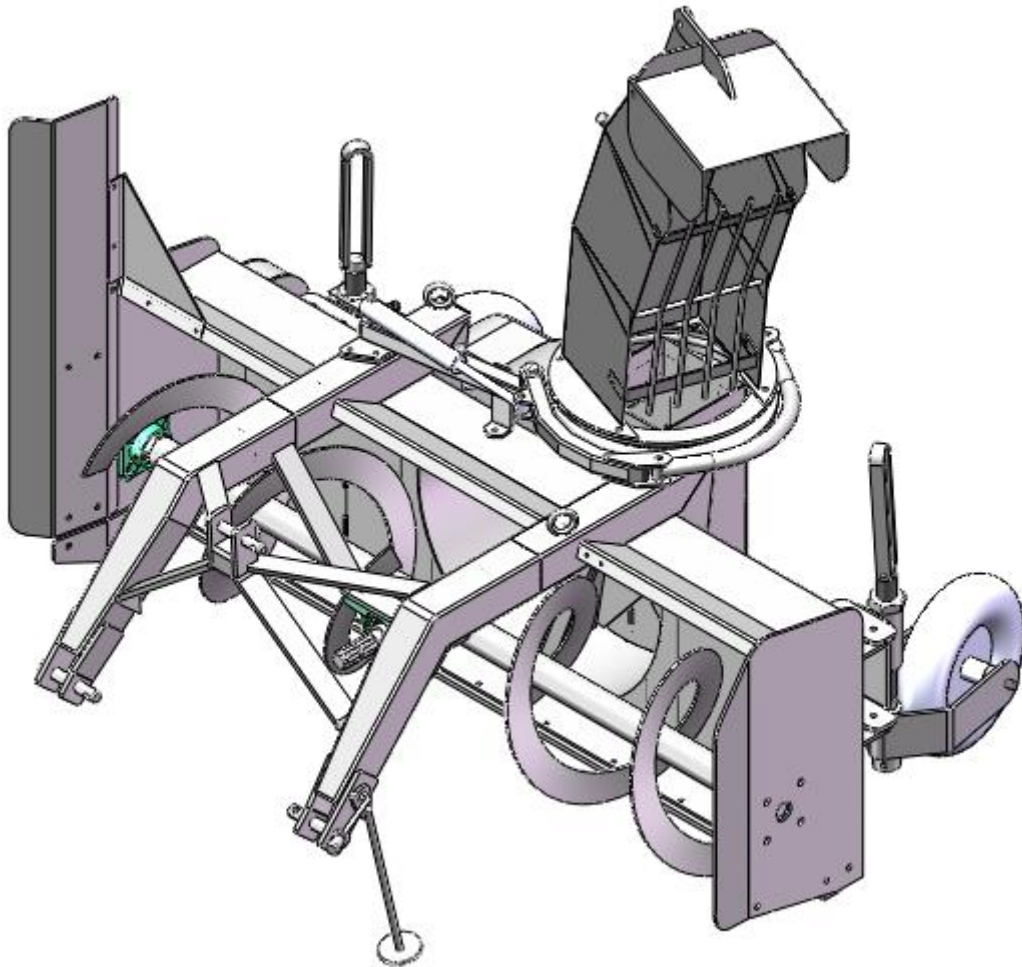
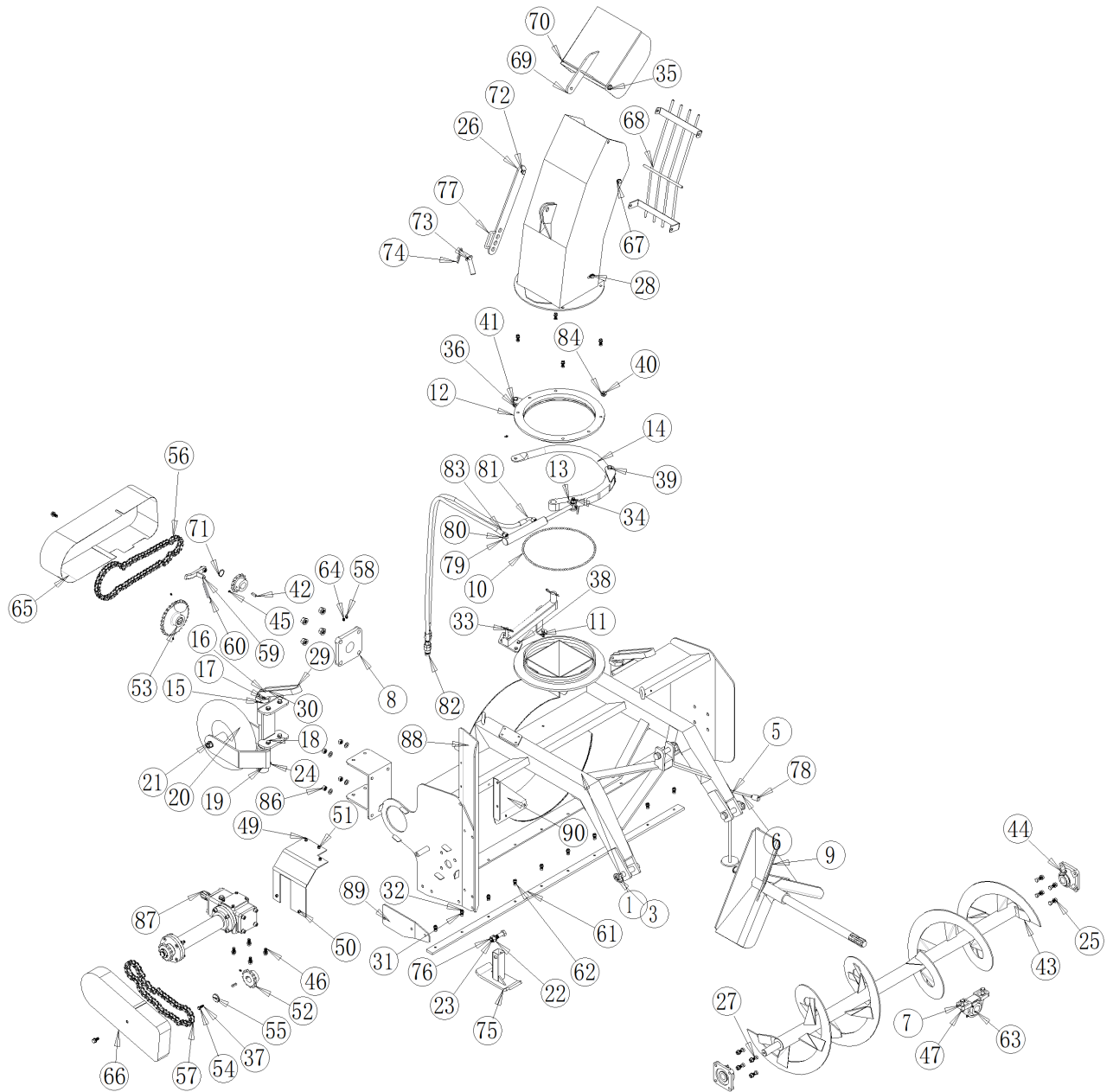


SNOW BLOWER SPARE PARTS BOOK





SER. NO.	CODE	REFERING DRAWING	中文名	NAME	QTY.
1	SB001	SB. 1-1 (130)	机壳焊接图	HOOD	1
1	SB001	SB. 1-1 (160)	机壳焊接图	HOOD	1
1	SB001	SB. 1-1 (200)	机壳焊接图	HOOD	1
1	SB001	SB. 1-1 (220)	机壳焊接图	HOOD	1
1	SB001	SB. 1-1 (240)	机壳焊接图	HOOD	1
2	SB002	MAR-5	上牵引销轴	PIN SHAFT	1
3	SB003	MBER. 1-4	下牵引销轴	PIN SHAFT	2
4	SB004		圆形簧销10x44	PIN 10x44	3
5	SB005	SB. 1-8	脚撑	BRACKET	1
6	SB006	SB. 1-9	板手	HANDLE	1
7	SB007		带立式座外球面球轴承 UCP207	BEARING AND BEARING BASE	1
8	SB008		带方形座外球面球轴承 UCFU210	BEARING AND BEARING BASE	1
9	SB009	SB. 2-1	输入雪轴	SHAFT FOR SNOW INPUT	1
10	SB010		钢球9.5	BALL	98
11	SB011	SB. 3-7	油缸座焊接图	CYLINDER BASE	1
12	SB012	SB. 1-2	上滚珠法兰焊接图	FRANGE	1
13	SB013	SB. 3-6	连接臂焊接图	CONNECTING ARM	1
14	SB014	SB. 3-5	连接管	CONNECTING TUBE	1
15	SB015	SB. 4-4	支撑座	SUPPORT BASE	2
16	SB016	SB. 4-2	螺纹轴	SHAFT	2
17	SB017	SB. 4-3	螺母	NUT	2
18	SB018	SB. 4-5	轮架	SUPPORT FOR WHEEL	2
19	SB019	SB. 4-7	套筒	BUSH	2
20	SB020		真空轮胎330x90x177	WHEEL 330x90x177	2
21	SB021	SB. 4-60	轮轴	SHAFT FOR WHEEL	2
22	SB022		平垫16	WASHER 16	11
23	SB023		六角螺母 M16	BOLT M16	11
24	SB024		六角螺栓 M10X70	BOLT M10X70	2
25	SB025		平垫10	WASHER 10	29
26	SB026		六角螺母 M10	BOLT M10	25
27	SB027		六角螺栓 M10X35	BOLT M10X35	16
28	SB028		弹垫10	SPRING WASHER 10	19
29	SB029	SB. 4-1	U型板	U BAR	2
30	SB030		六角螺栓 M8x60	BOLT M8x60	2
31	SB031		平垫8	WAHSER 8	17

SER. NO.	CODE	REFERING DRAWING	中文名	NAME	QTY.
32	SB032		六角螺母 M8	BOLT M8	17
33	SB033		2B 型销	2B PIN	2
34	SB034		开槽沉头螺钉 M12X55	SCREW M12X55	1
35	SB035		平垫12	WASHER 12	10
36	SB036		六角螺母 M12	BOLT M12	7
37	SB037		六角螺栓 M8X25	BOLT M8X25	6
38	SB038		六角螺栓 M8X12	BOLT M8X12	4
39	SB039		六角螺栓 M12X60	BOLT M12X60	1
40	SB040		弹垫12	SPRING WASHER 12	2
41	SB041		六角螺栓 M12X35	BOLT M12X35	1
42	SB042		平键8x7x28	WASHER 8x7x28	2
43	SB043	SB. 2-3 (130)	SB. 2-3 (130)	卷雪轴	1
43	SB043	SB. 2-3 (160)	SB. 2-3 (160)	卷雪轴	1
43	SB043	SB. 2-3 (200)	SB. 2-3 (200)	卷雪轴	1
43	SB043	SB. 2-3 (220)	SB. 2-3 (220)	卷雪轴	1
43	SB043	SB. 2-3 (240)	SB. 2-3 (240)	卷雪轴	1
44	SB044		带方形座外球面球轴承 UCFU206	BEARING AND BEARING BASE	2
45	SB045		锥端紧定螺钉 M6X10	SCREW M6X10	6
46	SB046		六角螺栓 M10X25	BOLT M10X25	10
47	SB047		六角螺栓 M12X50	BOLT M12X50	2
48	SB048	SB. 1-7	橡胶垫	RUBBER WASHER	1
49	SB049		六角螺栓 M6X16	BOLT M6X16	5
50	SB050		平垫 6	WASHER 6	7
51	SB051		六角螺母 M6	NUT M6	7
52	SB052	SB. 2-4	13T 链轮	13T SPROCKET	2
53	SB053	SB. 2-5	27T 链轮	27T SPROCKET	1
54	SB054		弹垫 8	SPRING WASHER 8	5
55	SB055		轴端挡圈 B30	RING B30	1
56	SB056		链条 12A-1-1	CHAIN 12A-1-1	1
57	SB057		链条 12A-1-2	CHAIN 12A-1-2	1
58	SB058		直通式压注油杯 M8X1	OIL CUP M8X1	8
59	SB059	SB. 2-2	张紧块	TENSIONING BLOCK	1
60	SB060	SB. 2-10	拉簧	SPRING	1

SER. NO.	CODE	REFERING DRAWING	中文名	NAME	QTY.
61	SB061	SB. 1-6 (130)	刮雪刀	BLADE	1
61	SB061	SB. 1-6 (160)	刮雪刀	BLADE	1
61	SB061	SB. 1-6 (200)	刮雪刀	BLADE	1
61	SB061	SB. 1-6 (220)	刮雪刀	BLADE	1
61	SB061	SB. 1-6 (240)	刮雪刀	BLADE	1
62	SB062		内六角圆柱头螺钉 M8X20	SCREW M8X20	8/10/12/ 13/15
63	SB063		锥端紧定螺钉 M8X10	SCREW M8X10	2
64	SB064		锥端紧定螺钉 M10X10	SCREW M10X10	1
65	SB065	SB. 1-4	罩壳 1	CHAIN COVER 1	1
66	SB066	SB. 1-5	罩壳 2	CHAIN COVER 2	1
67	SB067	SB. 3-1	吹雪筒焊接图	BLOWING SNOW FUNNEL	1
68	SB068	SB. 3-2	碎雪栏焊接图	CUTTING SNOW BAR	1
69	SB069	SB. 3-3	吹雪帽焊接图	BLOWING SNOW CAP	1
70	SB070		六角螺栓 M12X25	BOLT M12X25	2
71	SB071		轴用弹性挡圈30	RING 30	1
72	SB072		六角螺栓 M10X30	BOLT M10X30	1
73	SB073	SB. 3-8	销	PIN	1
74	SB074		4B 型销	4B PIN	1
75	SB075	SB. 1-10	脚掌焊接图	BRACKET	1
76	SB076		六角螺栓 M16X70	BOLT M16X70	1
77	SB077	SB. 3-4	支撑板	SUPPORT BAR	1
78	SB078	RTB	手柄套	HANDLE SLEEVE	1
79	SB079		油缸16-25-149	CYLINDER	1
80	SB080		油杯 M6X1	OIL CUP M6X1	3
81	SB081		胶管1-4x2000mm	RUBBER TUBE	1
82	SB082		快换接头	QUICK CHANGE COUPLER	2
83	SB083		胶管1-4x2000mm-1	RUBBER TUBE	1
84	SB084		六角螺栓 M12X12	BOLT M12X12	1
85	SB085	SB. 1-1 (20)	U 形板	U PLATE	2
86	SB086		六角锁紧螺母 M12	NUT M12	8
87	SB087	RTAF. 1	齿轮箱装配爆炸图	GEARBOX	1
88	SB088	SB. 1-11	防护板1	SIDE PLATE	1
89	SB089	SB. 1-12	防护板2	SIDE PLATE	1
90	SB090	SB. 1-13	连接板	CONNECTION PLATE	1